

# Hindi Letter Worksheets

अक्षरो को ट्रेस कर (Trace The Letter)



म-(ma)से मटका (ma-ta-kaa)



म

---

---

---

---

---

---

---

---

---

---

म

---

---

---

---

---

---

---

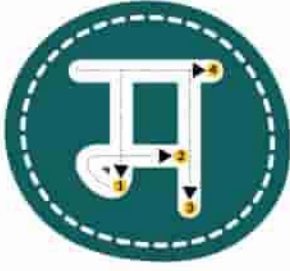
---

---

---

# Hindi Letter Worksheets

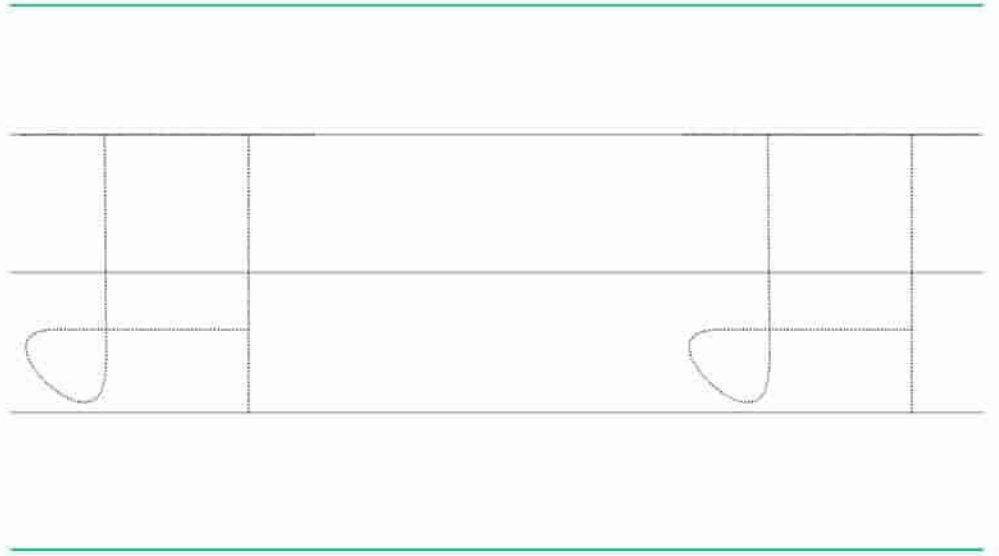
अक्षरो को ट्रेस कर (Trace The Letter)



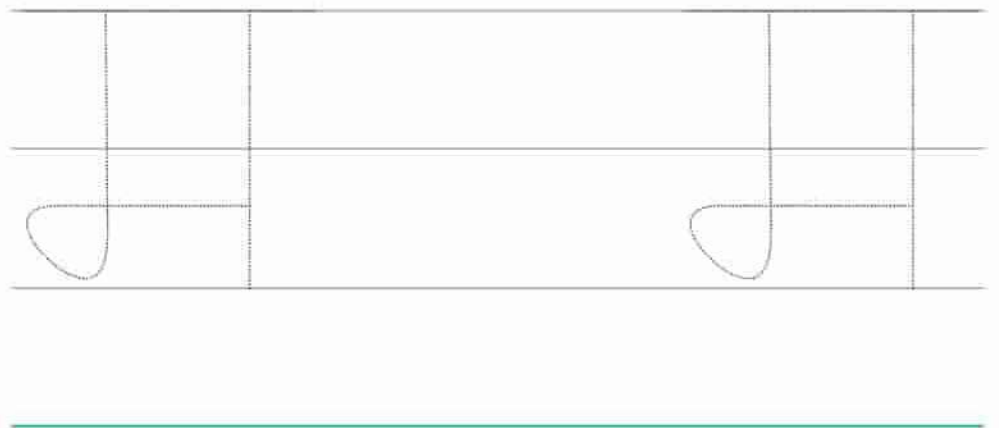
म-(ma) से मक्खी (ma-k-khee)



म

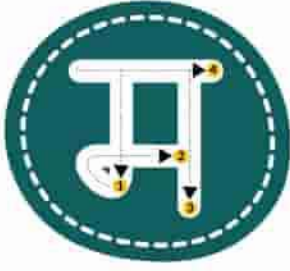


म



# Hindi Letter Worksheets

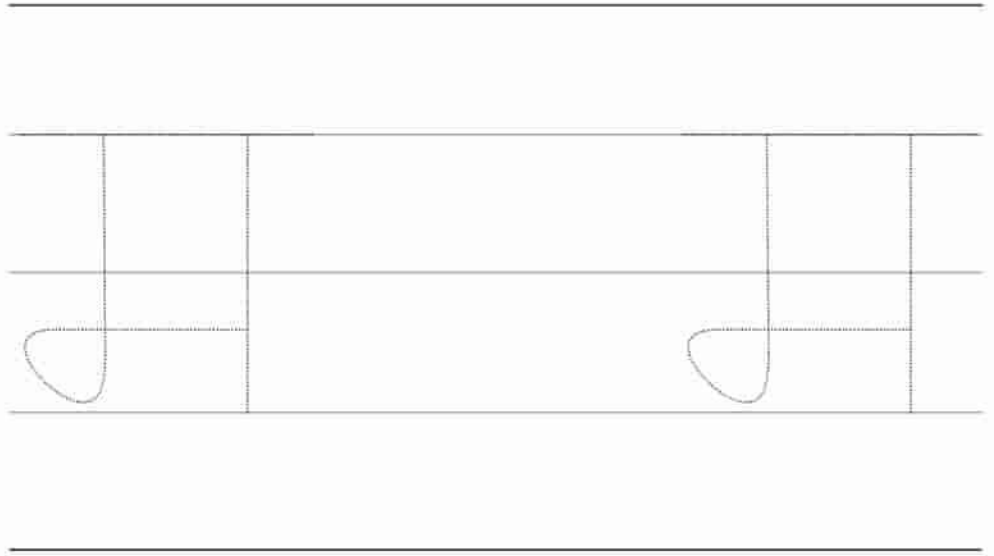
अक्षरो को ट्रेस कर (Trace The Letter)



म-(ma)से माँ (ma-a)



# म



# म



# Hindi Letter Worksheets

अक्षरो को ट्रेस कर (Trace The Letter)



म-(ma) से मगर (ma-gar)



म

Handwriting practice lines for the Hindi letter 'म'. The first row contains two dotted 'म' characters for tracing. Below are two empty rows for independent practice.

म

Handwriting practice lines for the Hindi letter 'म'. The first row contains two dotted 'म' characters for tracing. Below are two empty rows for independent practice.

# Hindi Letter Worksheets

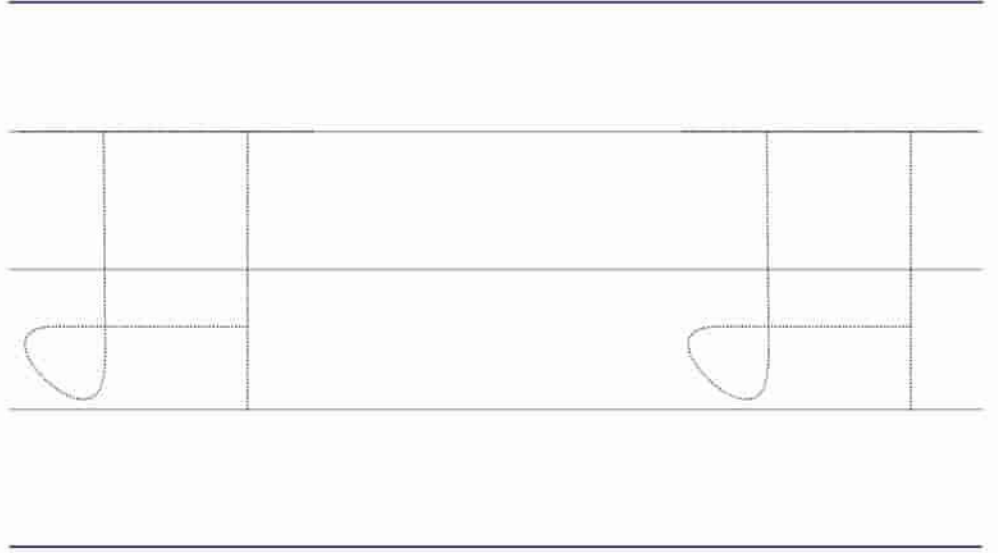
अक्षरो को ट्रेस कर (Trace The Letter)



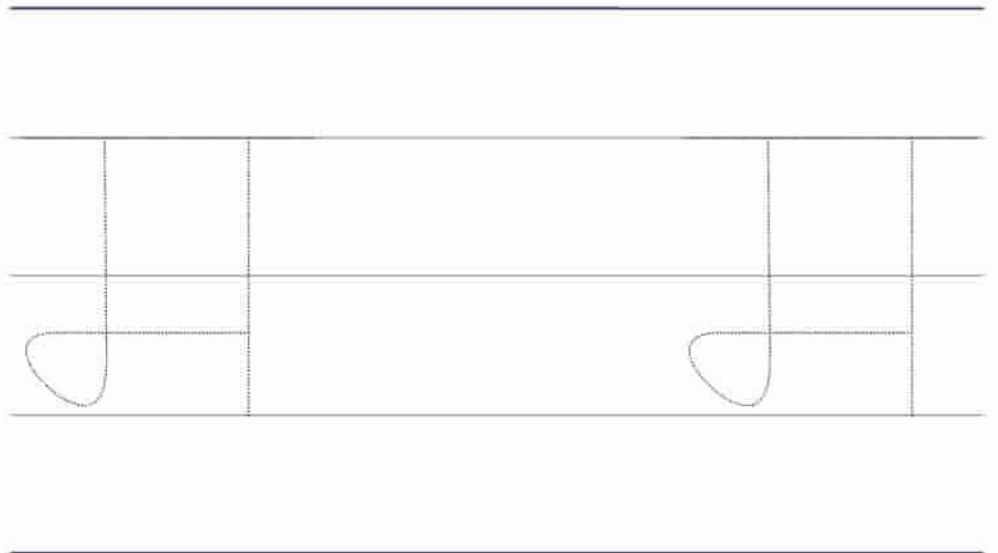
म-(ma) से मिठाई (mi-thaa-ee)



# म



# म



# Hindi Letter Worksheets

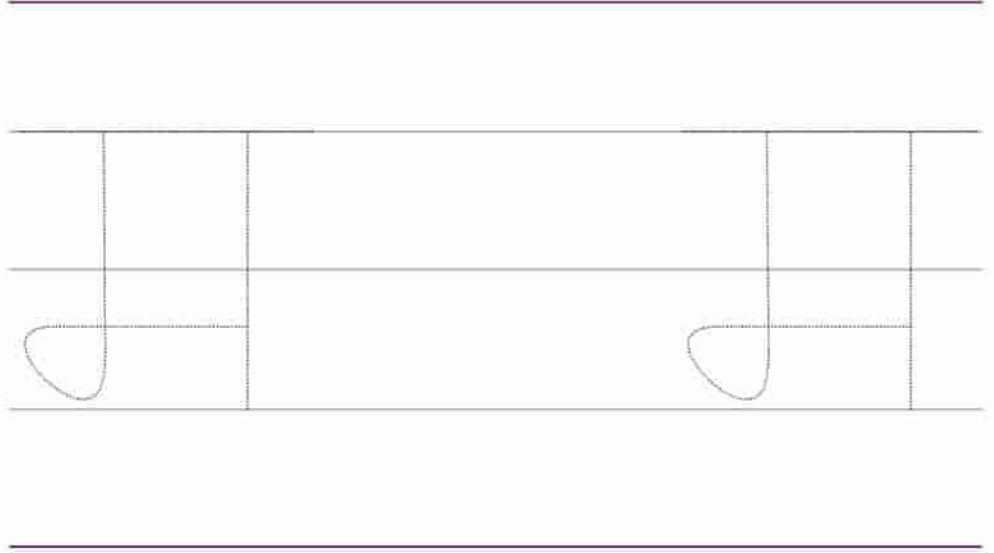
अक्षरो को ट्रेस कर (Trace The Letter)



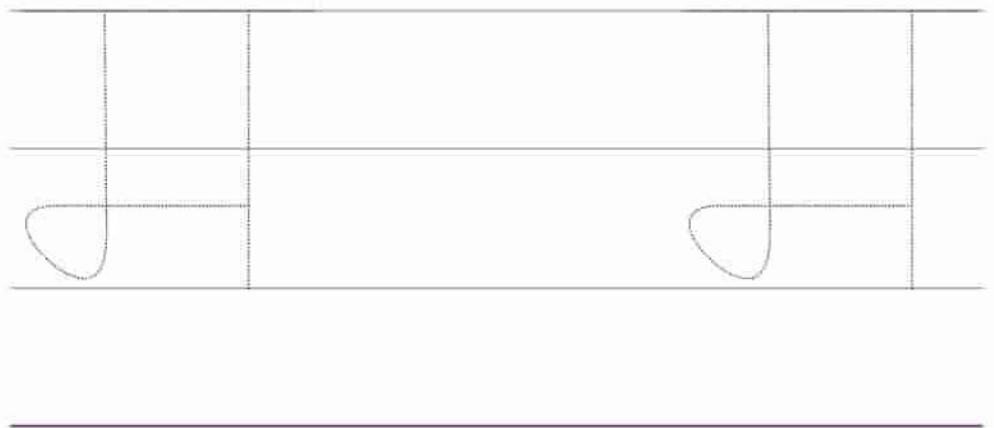
म-(ma) से मछली (ma-cha-lee)



# म



# म



# Hindi Letter Worksheets

अक्षरो को ट्रेस कर (Trace The Letter)



म-(ma) से माला (ma-a-laa)



म



म



# Hindi Letter Worksheets

अक्षरो को ट्रेस कर (Trace The Letter)



म-(ma) से मोर (m-o-r)



म

Handwriting practice lines for the Hindi letter 'म'. The first row shows two dotted 'म' characters for tracing on a four-line grid. Below it are two empty rows for independent practice.

म

Handwriting practice lines for the Hindi letter 'म'. The first row shows two dotted 'म' characters for tracing on a four-line grid. Below it are two empty rows for independent practice.



# Hindi Letter Worksheets

अक्षरो को ट्रेस कर (Trace The Letter)



म-(ma)से मधु (ma-dhu)



# म



# म



# Hindi Letter Worksheets

अक्षरो को ट्रेस कर (Trace The Letter)

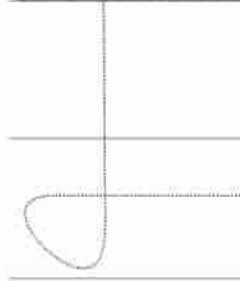
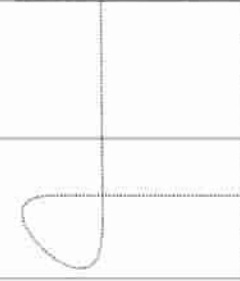


म-(ma) से मटर (ma-ta-r)



# म

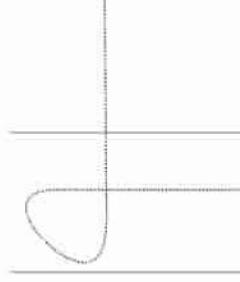
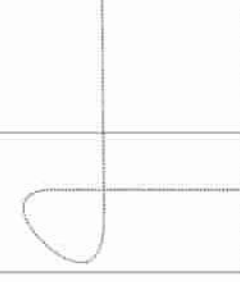
---

	
---	---

---

# म

---

	
---	---

---